

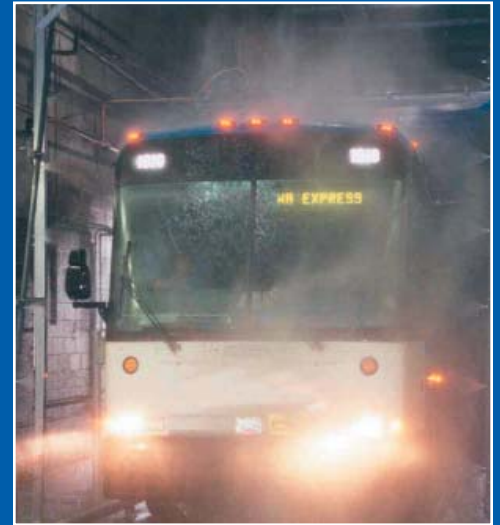
# *CLEAN AIR TECHNOLOGIES*

## **DRIVE THROUGH** Bus and Truck Wash



### **High Volume Drive-Through System**

Clean Air Technologies Drive-Through Vehicle Wash Systems feature high-volume fleet washing with throughput of over 60 vehicles per hour! Framework structures are made of galvanized steel so they're rugged, durable and designed to withstand the harshest environments. This system provides excellent cleaning results while maintaining low operational costs and is available in 2, 4, and 6 brush configurations.



### **Operation**

Electric-Eye Activators control each function throughout the wash process. First, the Pre-Soak Arch rinses the vehicle while applying a detergent solution. Then, the Top Mitter Curtains clean the roof area. Next, the brushes wash the front, sides and rear of the vehicle. The Final Rinse Arch rinses all dirt and detergent away, leaving vehicles brilliantly clean.

### **Basic System includes:**

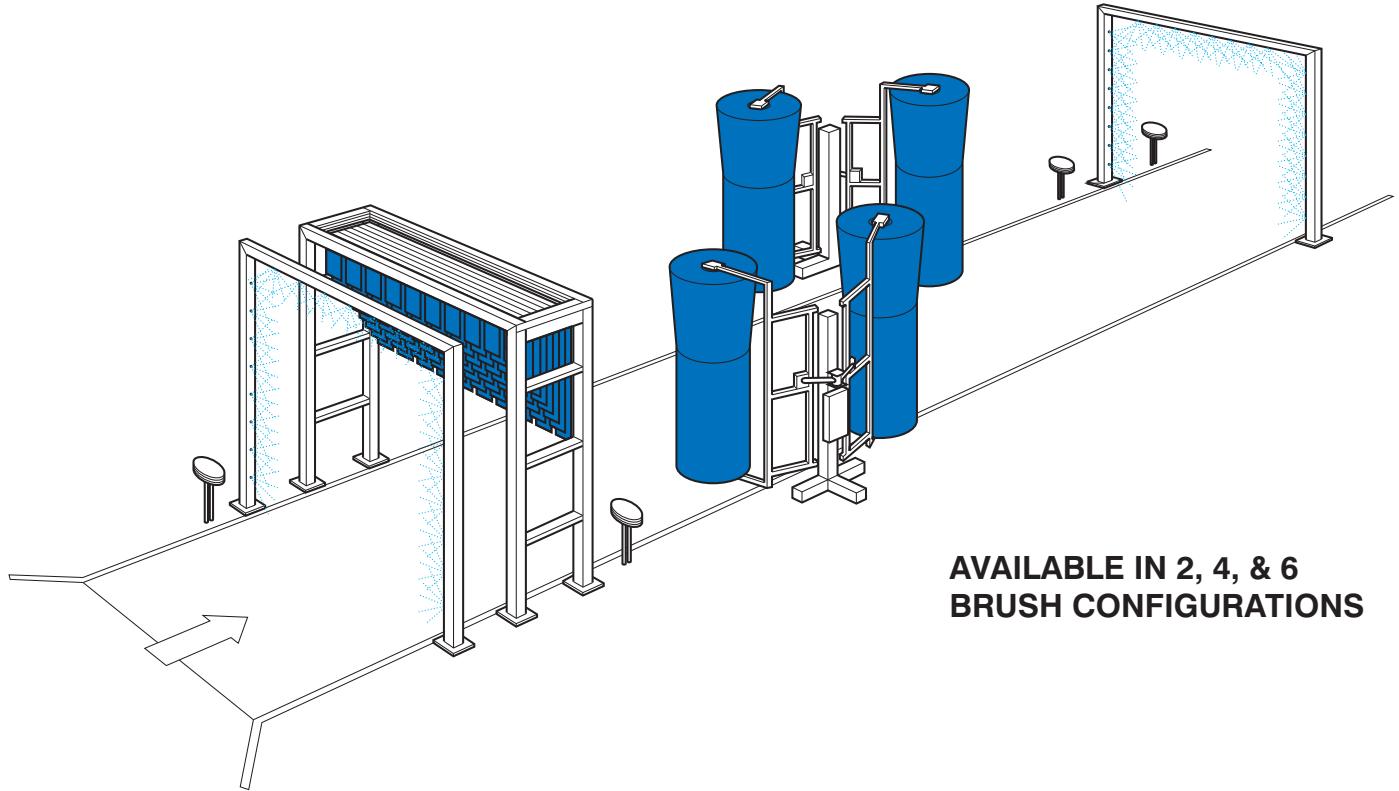
- Wheel Guide Rails
- Activators
- Pre-Soak Arch
- Top Mitter Curtain
- Front/Side/Rear Brushes  
– Available in 2, 4, 6 brush configurations
- Final Rinse Arch
- Detergent Feed System
- Motor Control Center
- Contact Clean Air Technologies for more available options

### **Options:**

- Speed Control System
- Chassis Wash
- Water Recycle System

# CLEAN AIR TECHNOLOGIES

## *The Ultimate in Fleet Bus & Truck Wash Systems*



**AVAILABLE IN 2, 4, & 6  
BRUSH CONFIGURATIONS**

### **Recommended Washbay Space Requirements:**

#### **Length:**

- 2-Brush System – 55ft. (45ft. min.)
- 4-Brush System – 55ft. (45ft. min.)
- 6-Brush System – 65ft. (55ft. min.)

#### **Width:**

21ft. – (18 ft. min.)

#### **Height:**

- System to wash vehicles up to 12' high vehicles – 16ft. (15ft. min.)
- System to wash vehicles up to 14' high vehicles – 18ft. (17ft. min.)

### **Utility Requirements:**

#### **Electrical:**

- Provide main service (3 phase, voltage to suit) to Clean Air Technologies supplied Motor Control Center.
- Provide conduit/wiring from Motor Control Center to Activators, Arches, Top Mitter and Brushes.

#### **Water:**

- Provide 2 ½" main cold water line @ 50psi.
- Provide piping from cold water line to Arches, Top Mitter and Brushes.

#### **Compressed Air:**

- Provide ½" air line @ 80psi to Brushes.

Specialists in  
Transit Cleaning Systems

CANADA Toll Free 800-265-3878  
Fax 905-738-4603  
Web [www.eurovac.com](http://www.eurovac.com)

116 Buttermill Ave, Concord, ON L4K 3X7

USA Ph. 800-265-3878  
Fax 905-738-4603  
Web [www.eurovac.com](http://www.eurovac.com)

1188 Bell Rd., Suite 201, Chagrin Falls, OH 44022